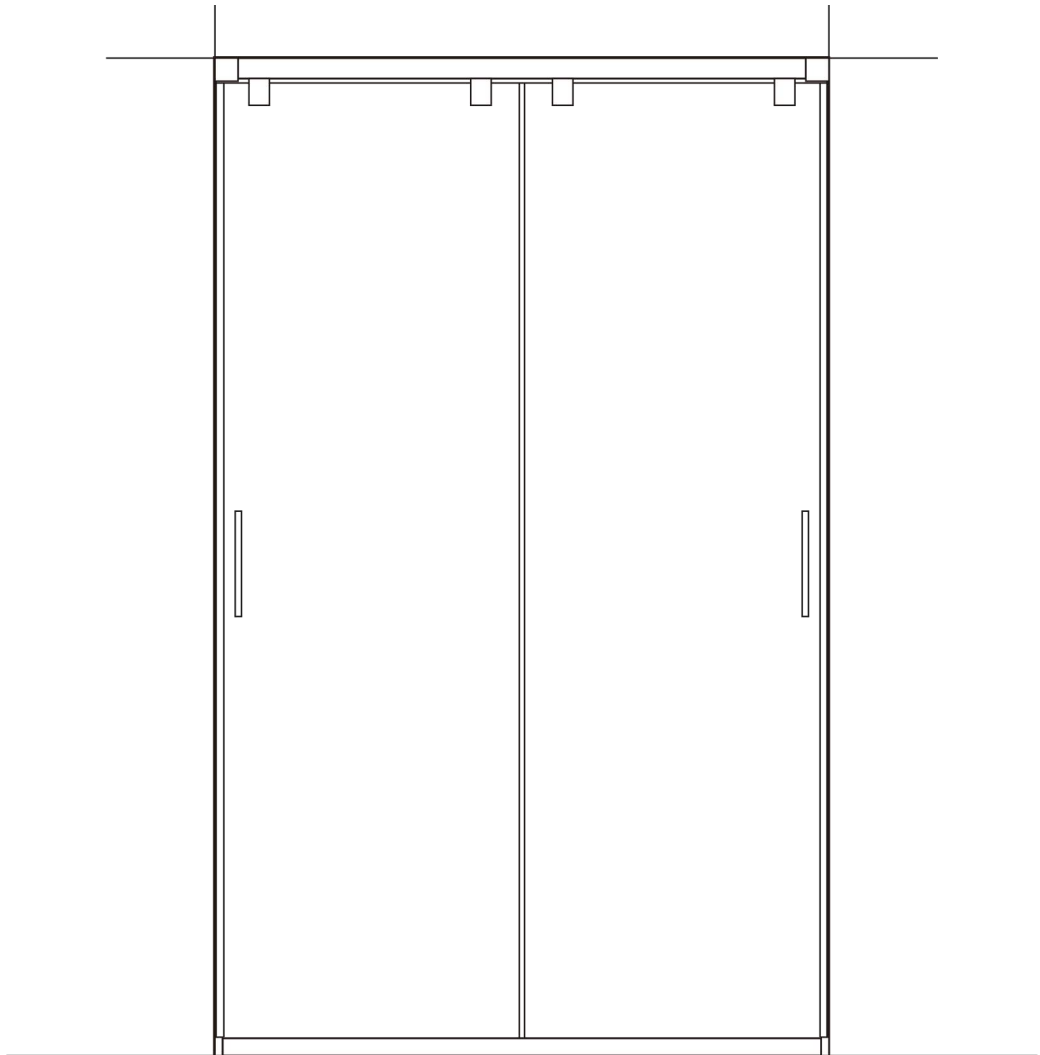
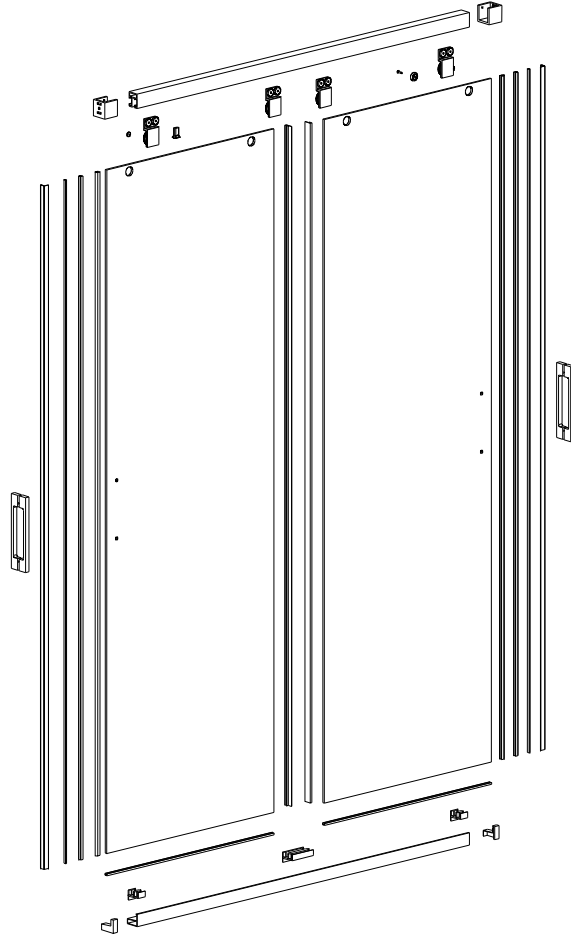


// MAMPARA DE BAÑO // PAROIS DE DOUCHE // SHOWER ENCLOSURE //
// CABINA DOCCIA // DUSCHABTRENNUNG // RESGUARDO DE DUCHE //

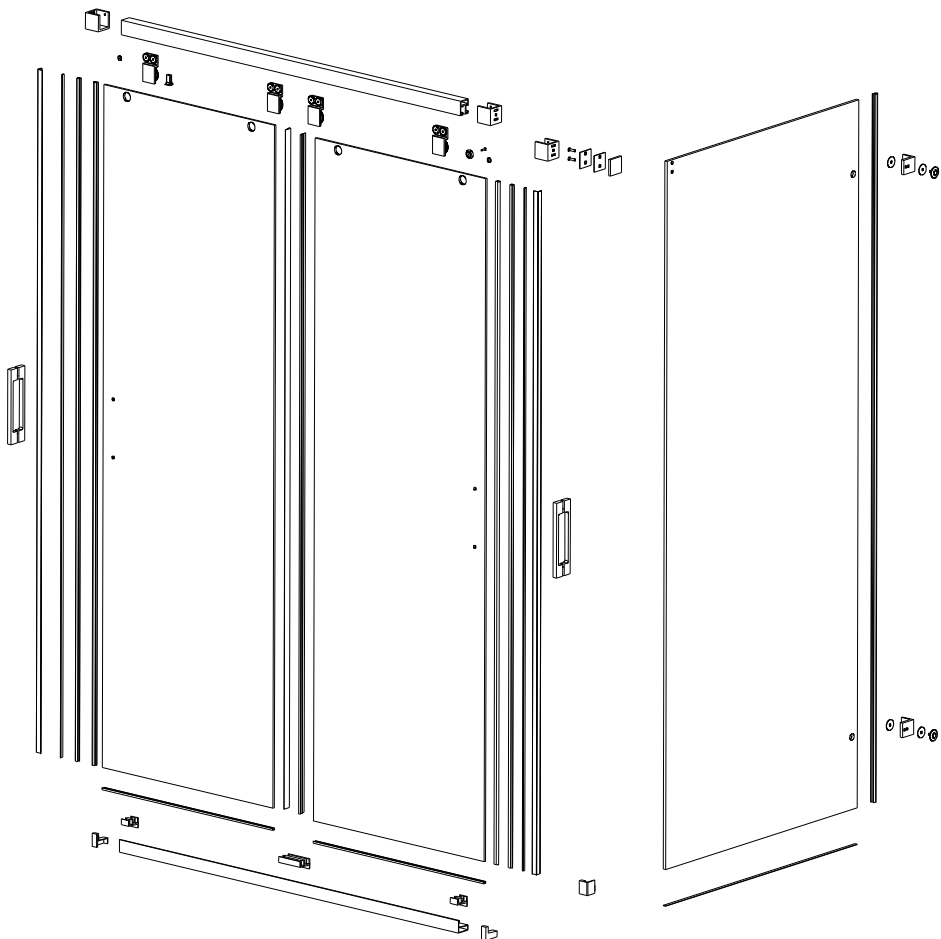
SHAWA B12 - Option A SHAWA B26 - Option B



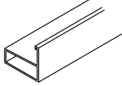

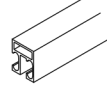
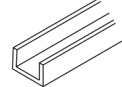
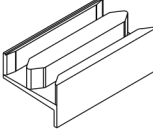
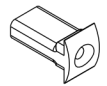
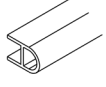
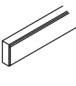
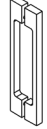


A

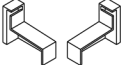
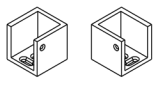
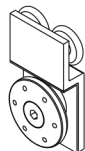
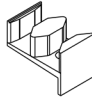
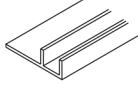

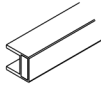
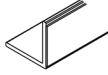





B

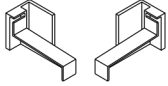
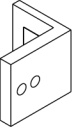
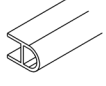



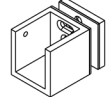

A

| | | |
|------|---|---|
| M-01 |  | 1 |
| M-03 |  | 2 |
| M-05 |  | 1 |
| M-07 |  | 2 |
| M-09 |  | 1 |
| M-11 |  | 1 |
| M-13 |  | 2 |
| M-15 |  | 2 |
| M-17 |  | 2 |
| M-19 |  $\varnothing 6$ | 4 |
| M-21 |  DIN 7982 4,2x16 | 2 |

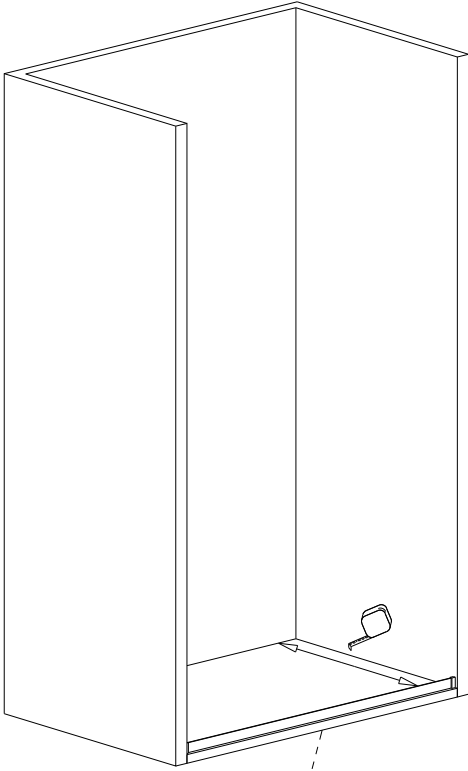
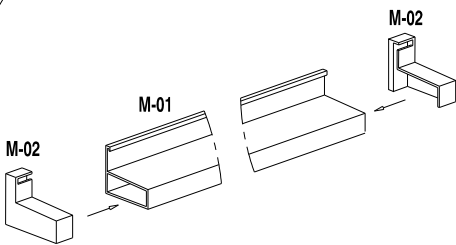
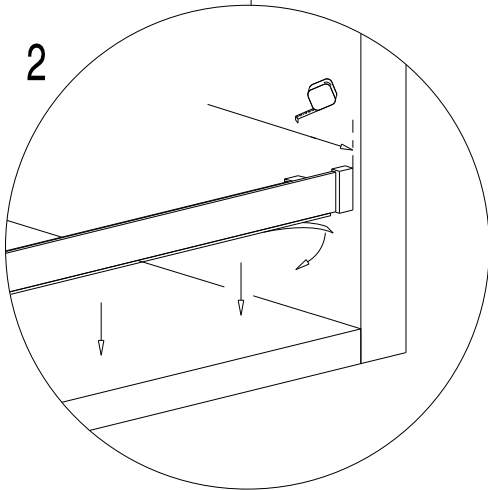
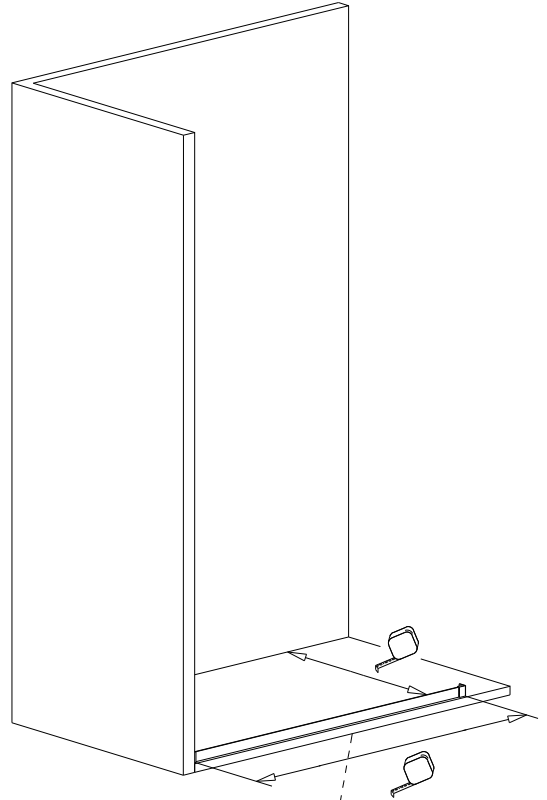
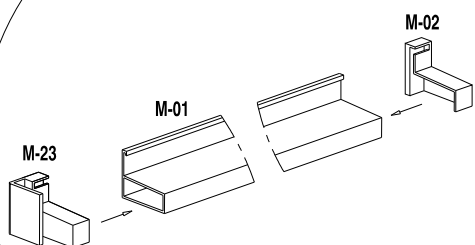
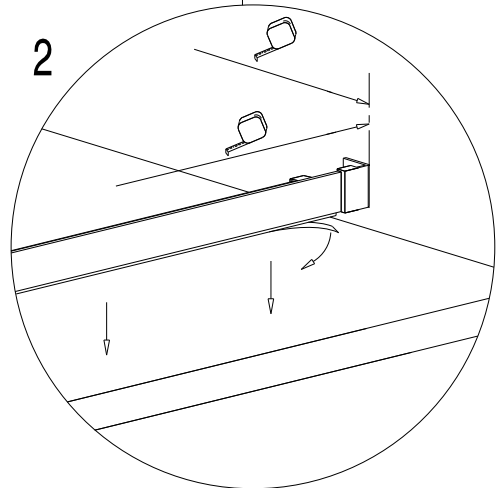
| | | |
|------|---|---|
| M-02 |  | 1 |
| M-04 |  | 1 |
| M-06 |  | 4 |
| M-08 |  | 2 |
| M-10 |  | 2 |
| M-12 |  | 1 |
| M-14 |  | 2 |
| M-16 |  | 2 |
| M-18 |  DIN 7982 4,2x13 | 3 |
| M-20 |  DIN 7982 4,2x32 | 5 |
| M-22 |  3,5x16 | 1 |

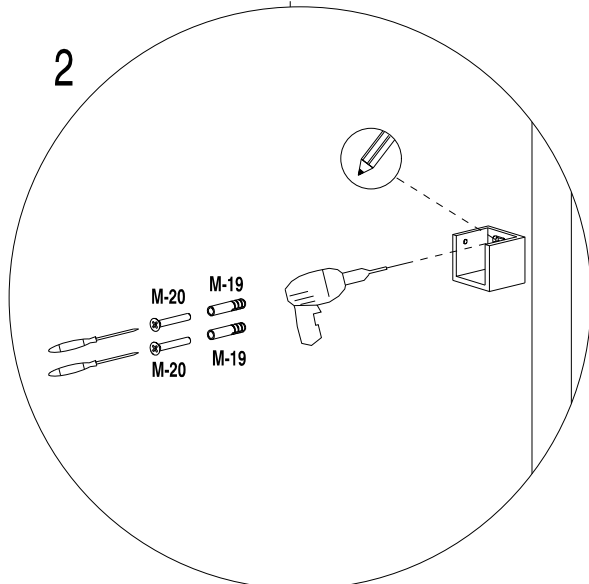
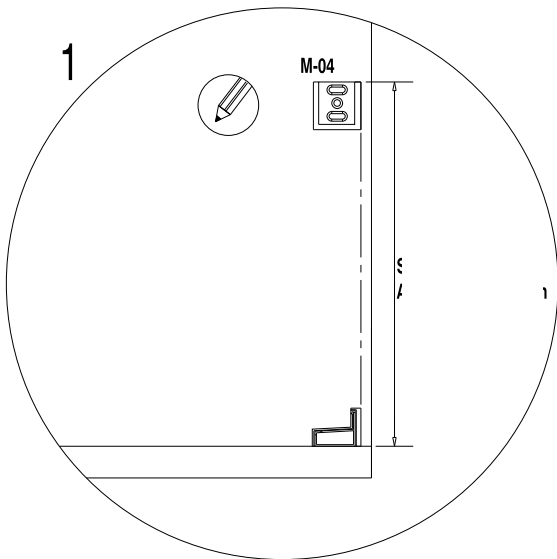
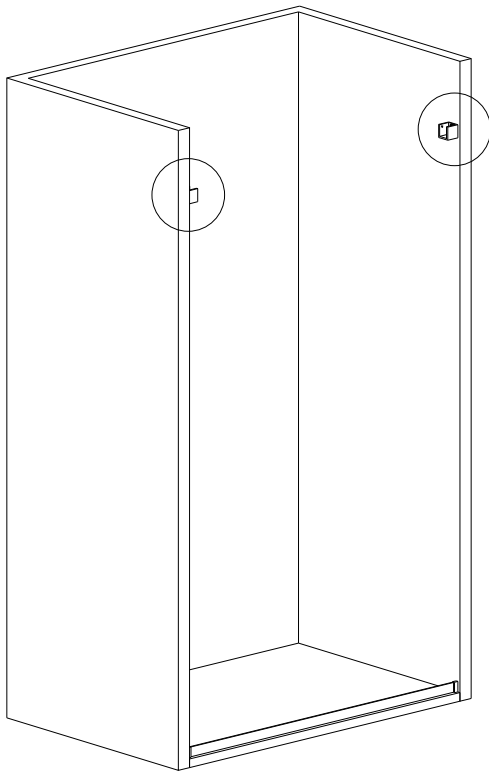
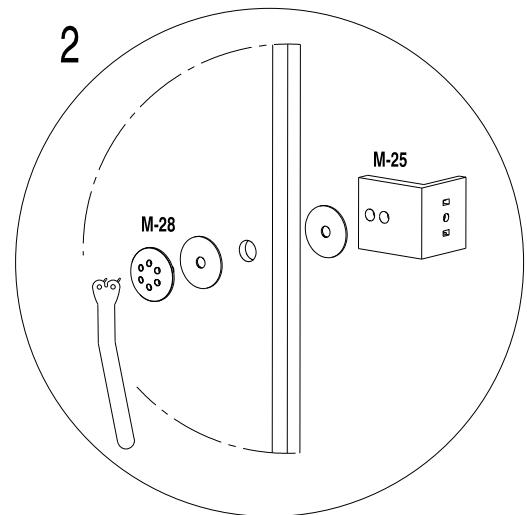
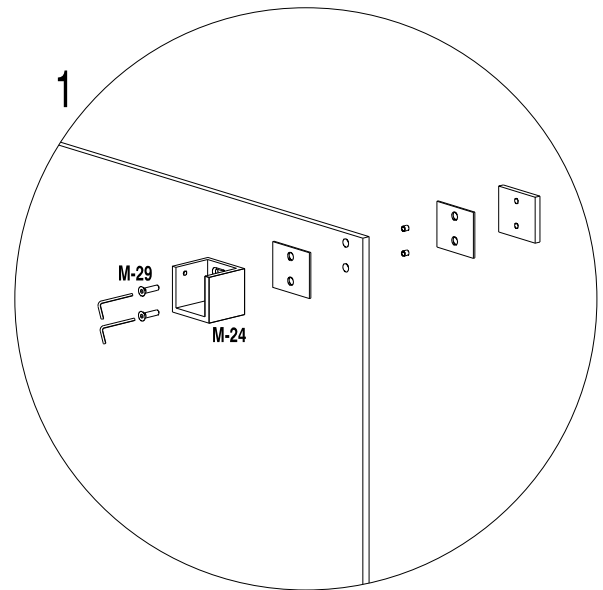
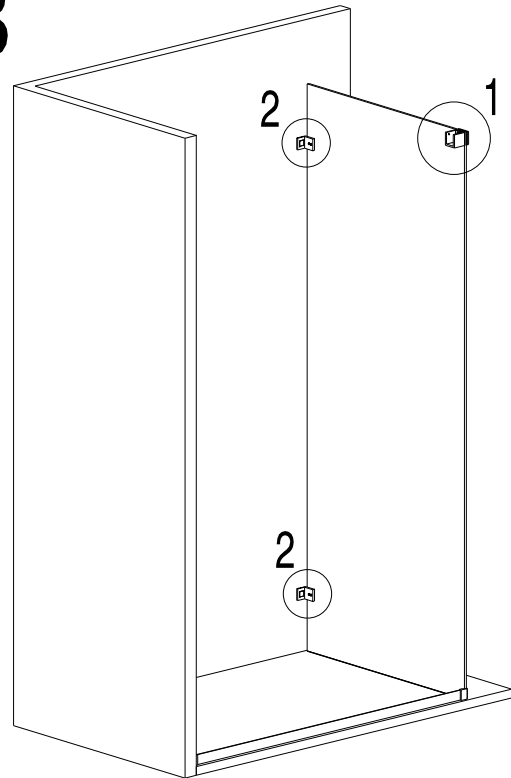
B

| | | |
|------|---|---|
| M-23 |  | 1 |
| M-25 |  | 2 |
| M-27 |  | 1 |
| M-29 |  DIN 7991 5x20 | 2 |

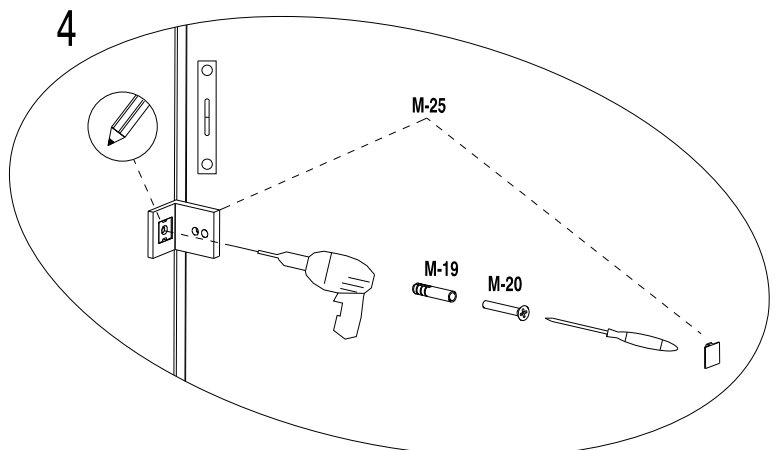
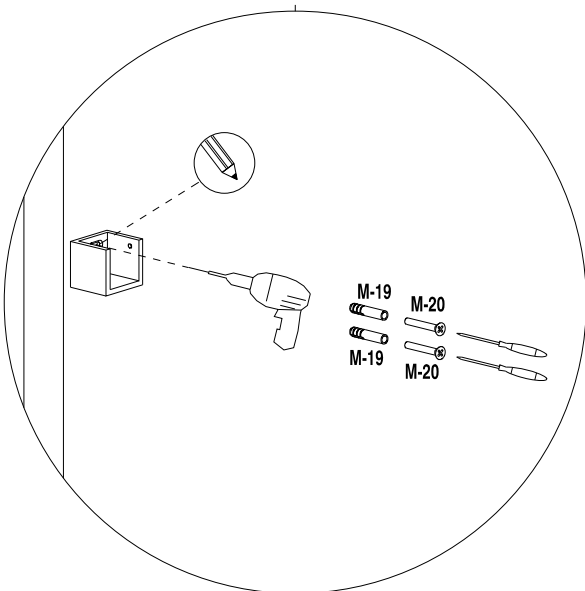
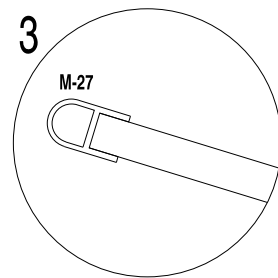
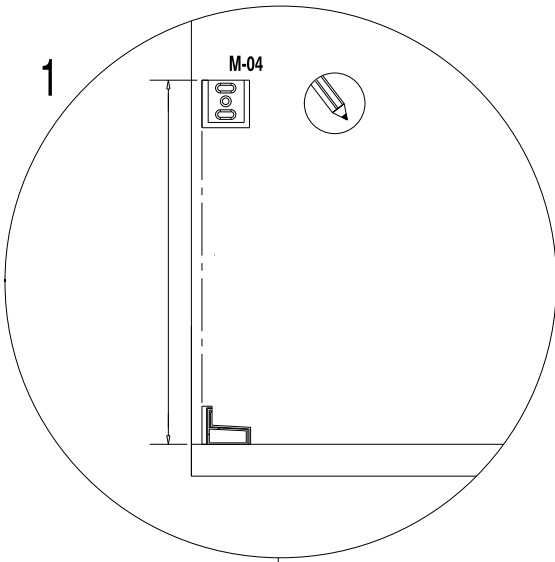
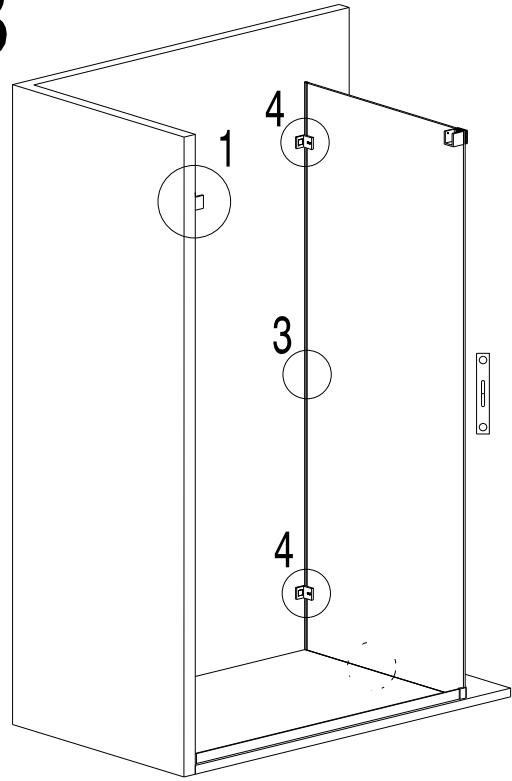
| | | |
|------|---|---|
| M-24 |  | 1 |
| M-28 |  | 2 |

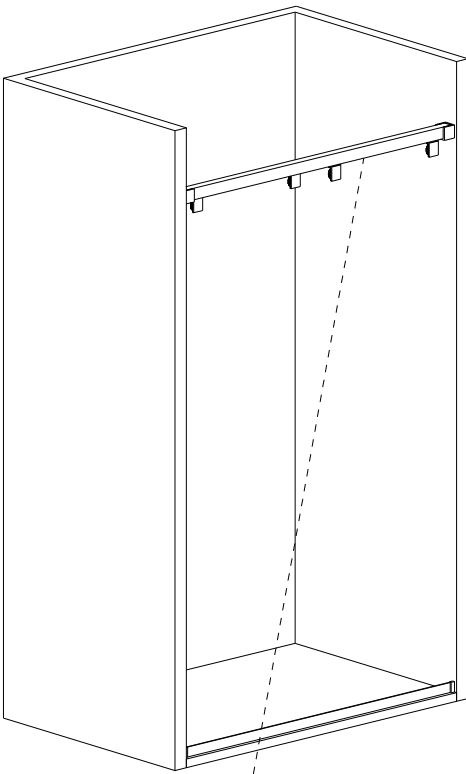
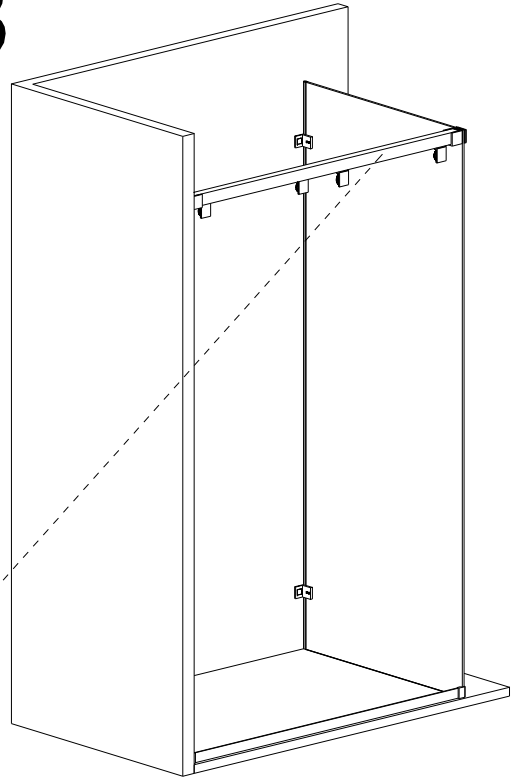


A**1****2****B****1****2**

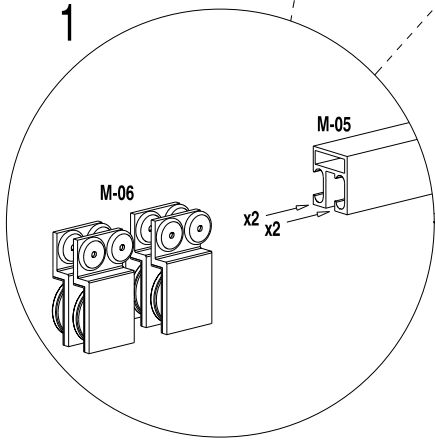
A**B**

B

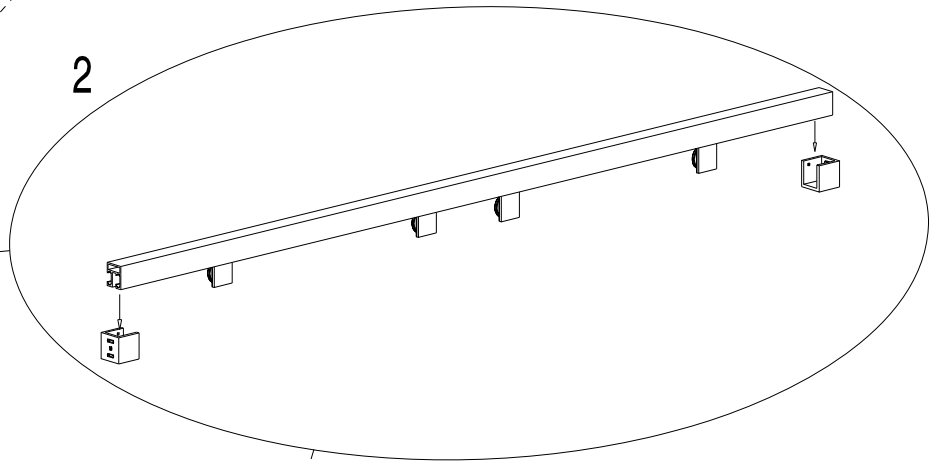


A**B**

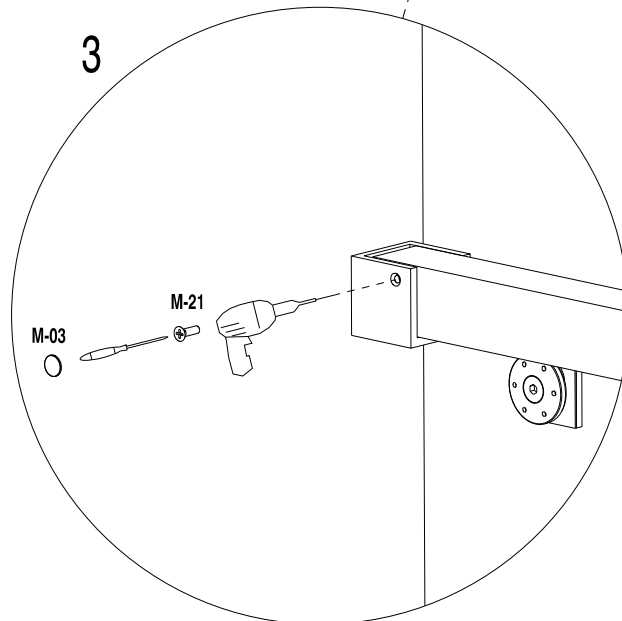
1

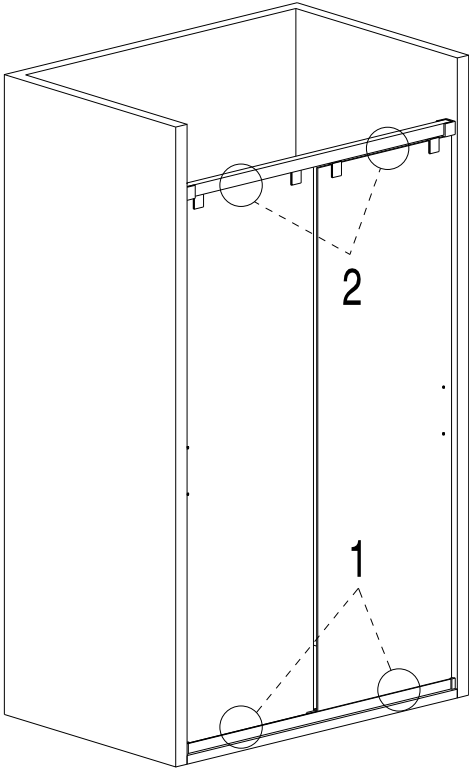
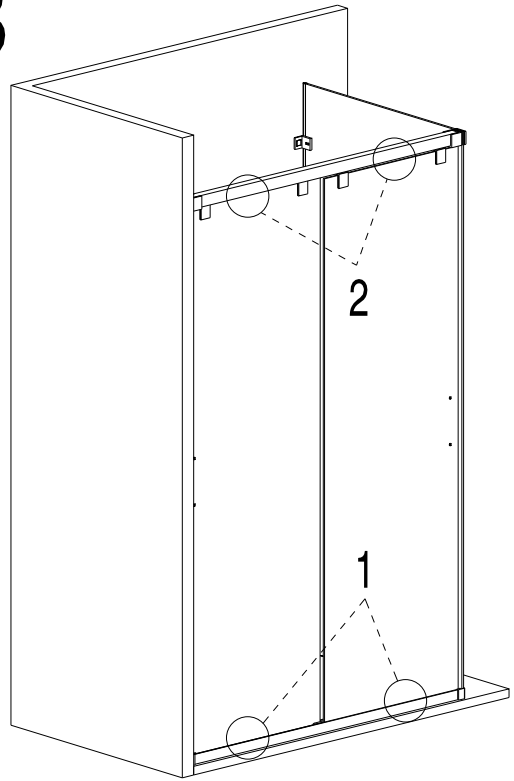
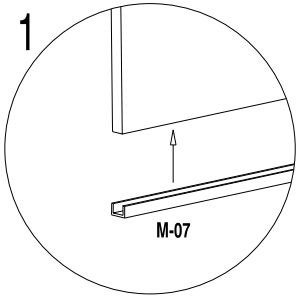
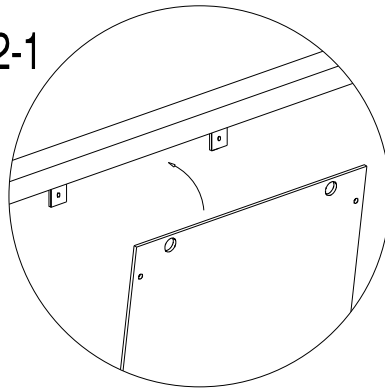
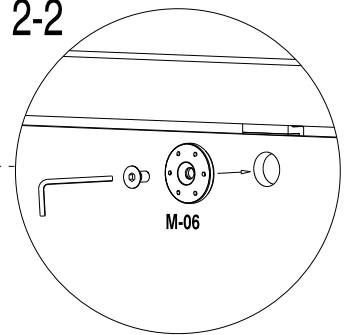
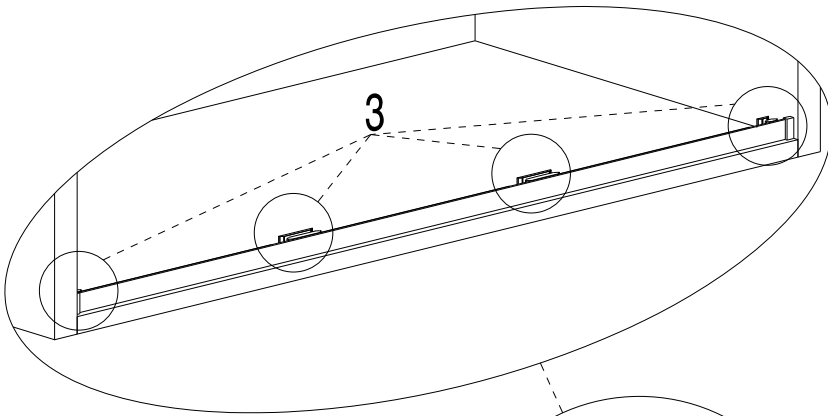
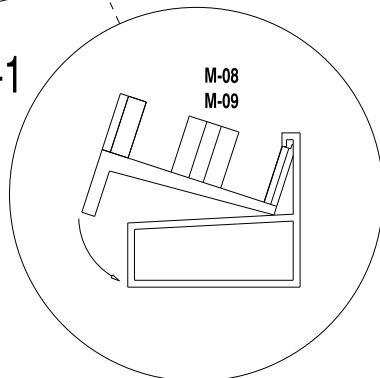
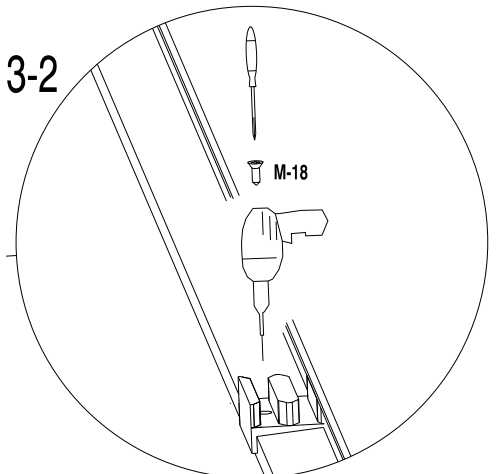


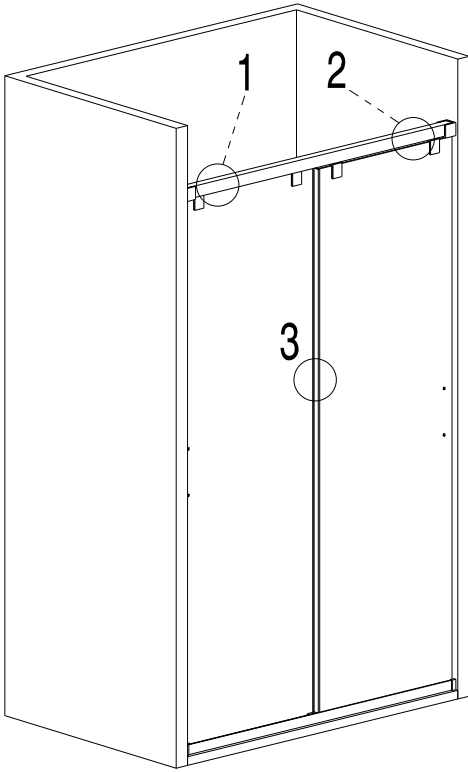
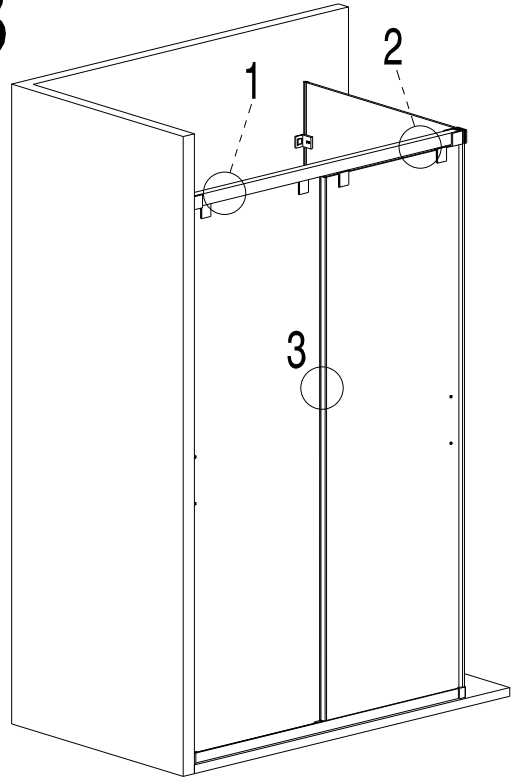
2



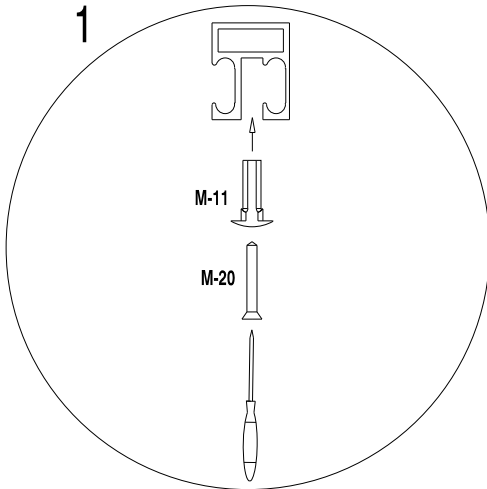
3



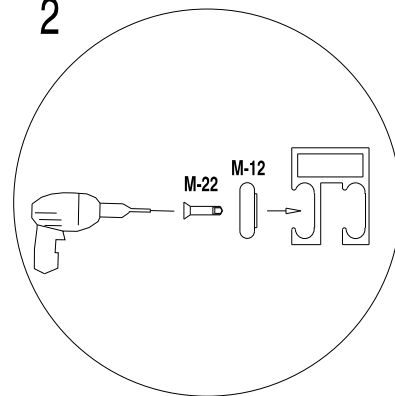
A**B****1****2-1****2-2****3****3-1****3-2**

A**B**

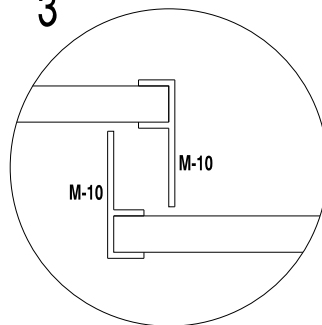
1

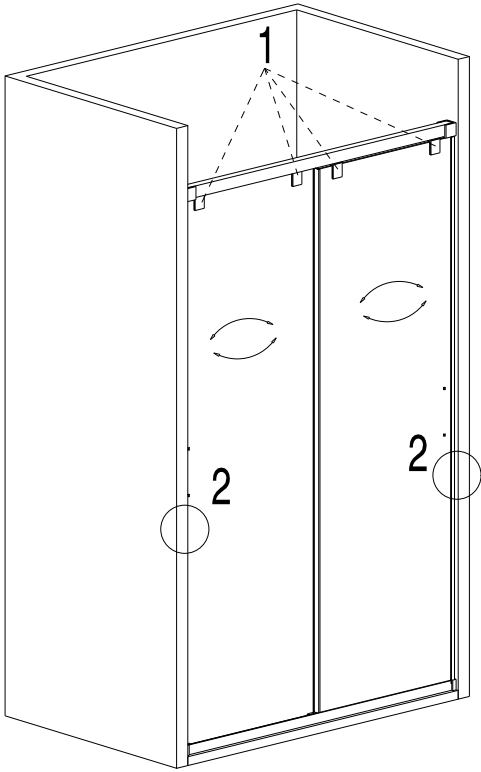
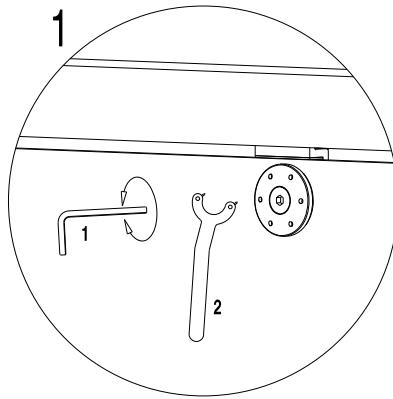
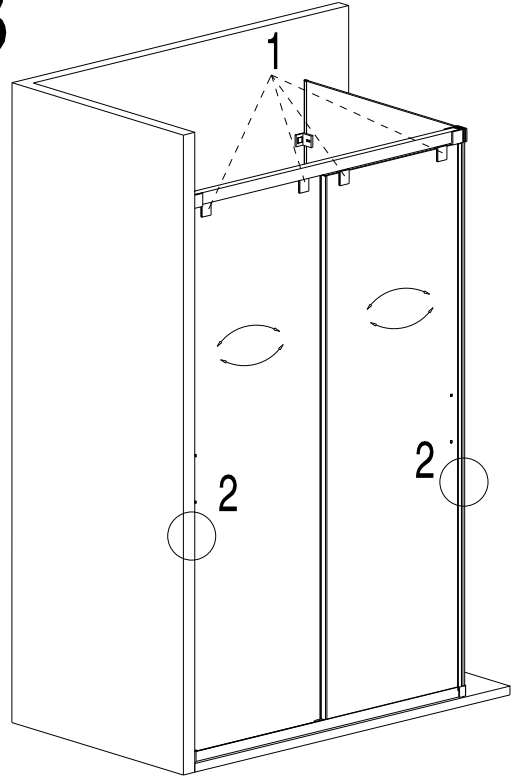


2

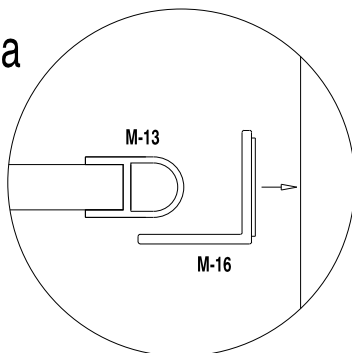


3

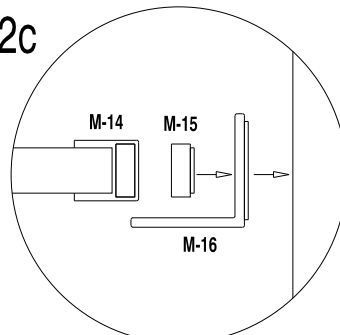


A**B**

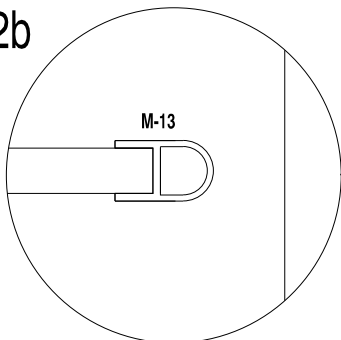
2a



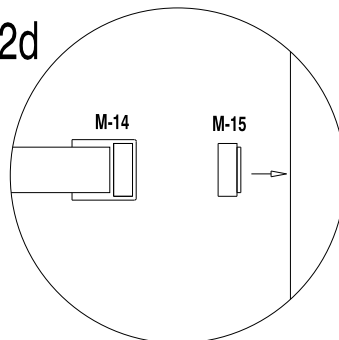
2c



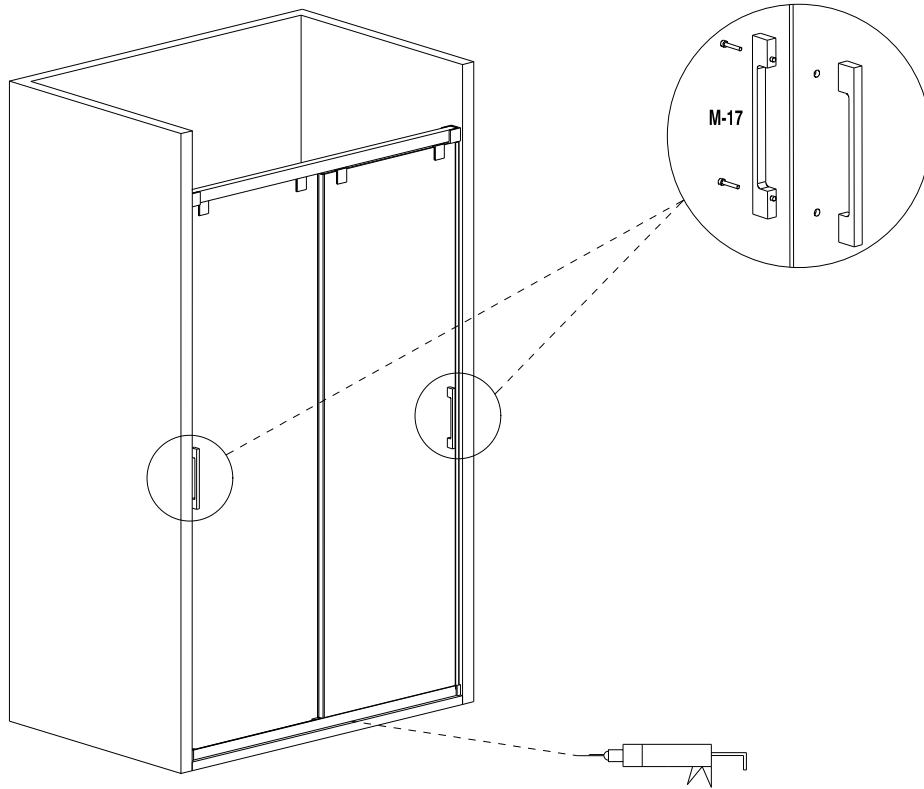
2b



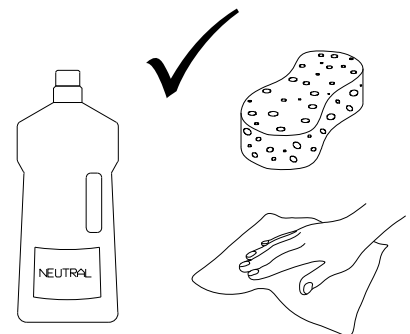
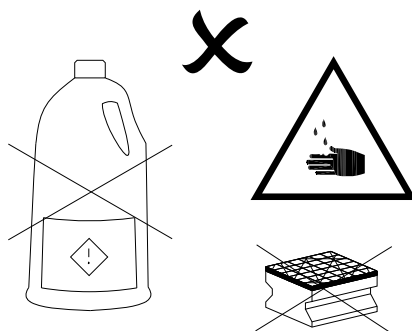
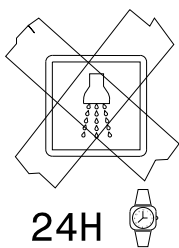
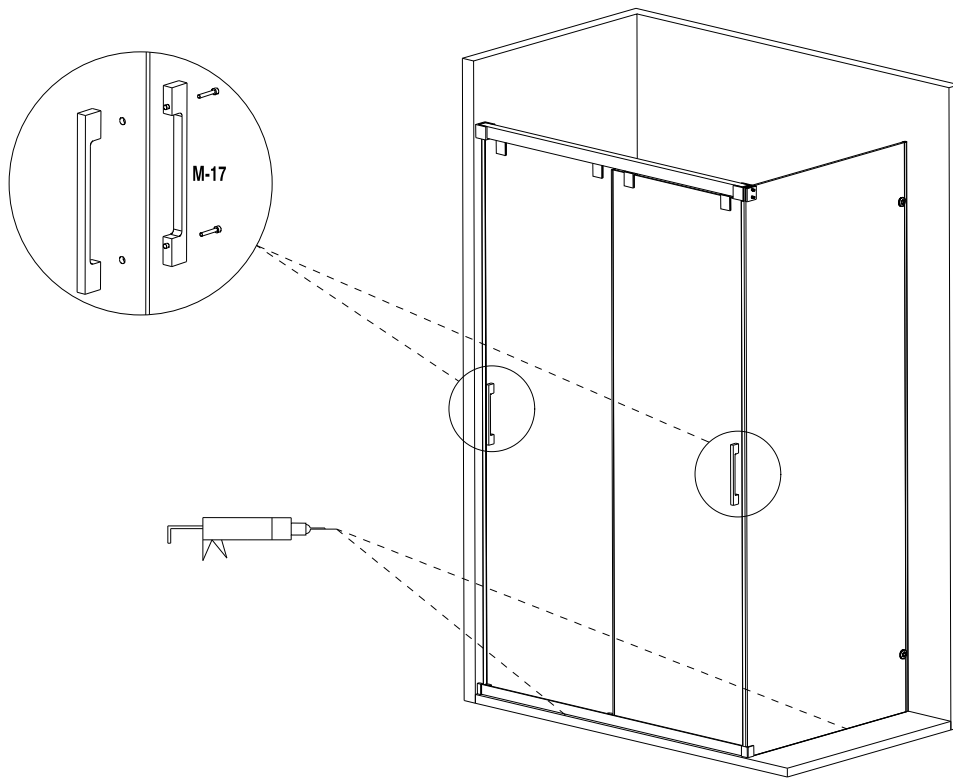
2d



A



B





EUROPEAN SYSTEMS SERVICES
contact@expertbath.com



13

UNE-EN 14428

