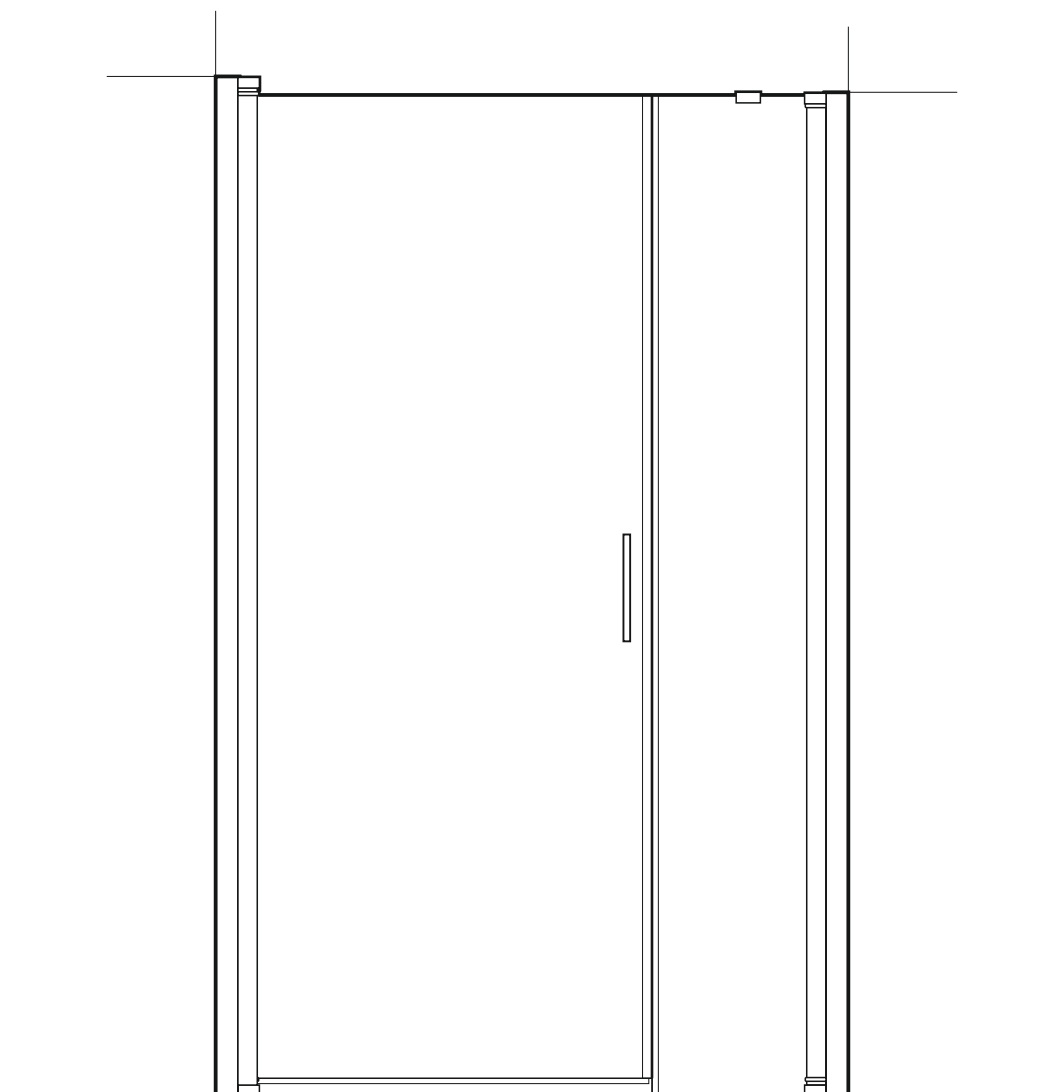
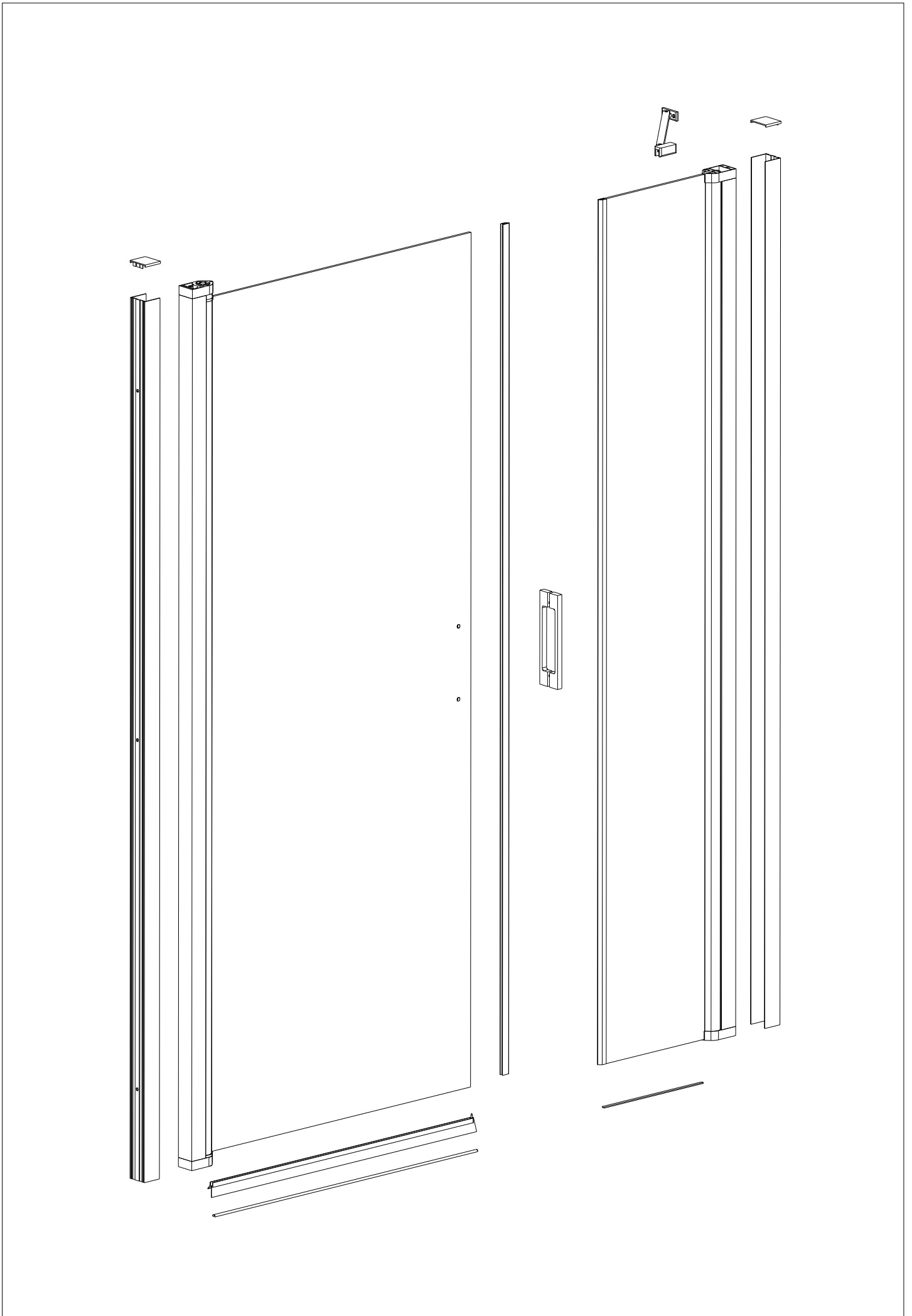
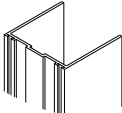


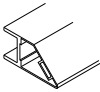
// MAMPARA DE BAÑO // PAROIS DE DOUCHE // SHOWER ENCLOSURE //  
// CABINA DOCCIA // DUSCHABTRENNUNG // RESGUARDO DE DUCHE //

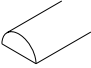
## FURO P15

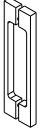





**M-01**  **2**

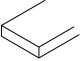
**M-03**  **2**

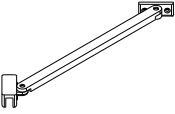
**M-05**  **1**

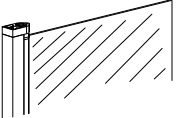
**M-07**  **1**

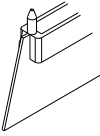
**M-09**   $\varnothing 6$  **8**

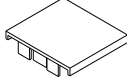
**M-11**   $3,5 \times 16$  **6**


**M-13**  **1**

**M-15**  **1**

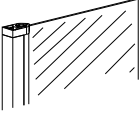
**M-02**  **1**

**M-04**  **1**

**M-06**  **2**

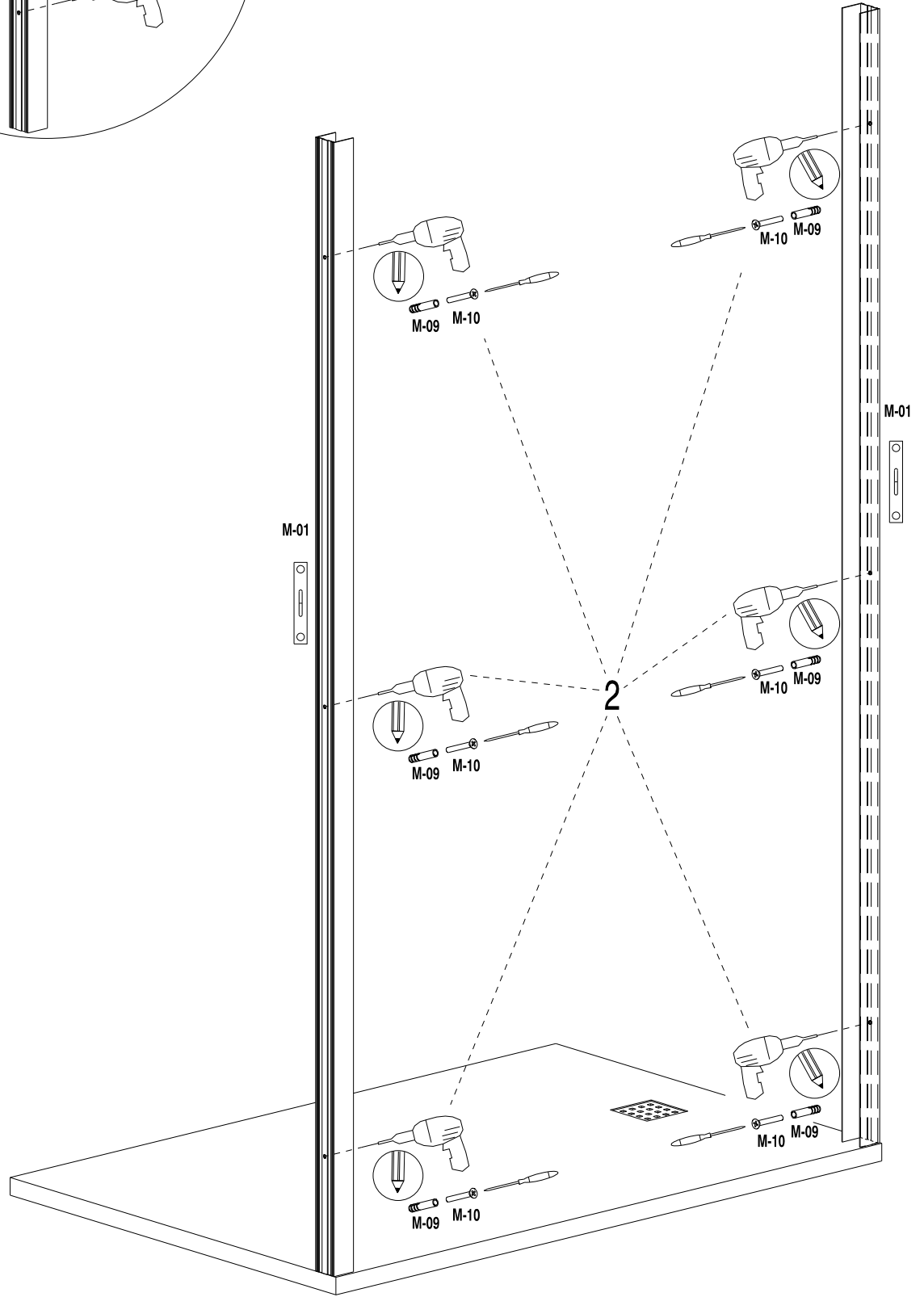
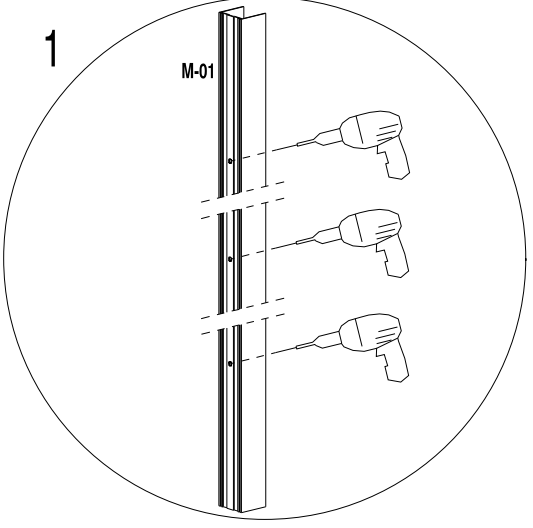
**M-08**  **6**

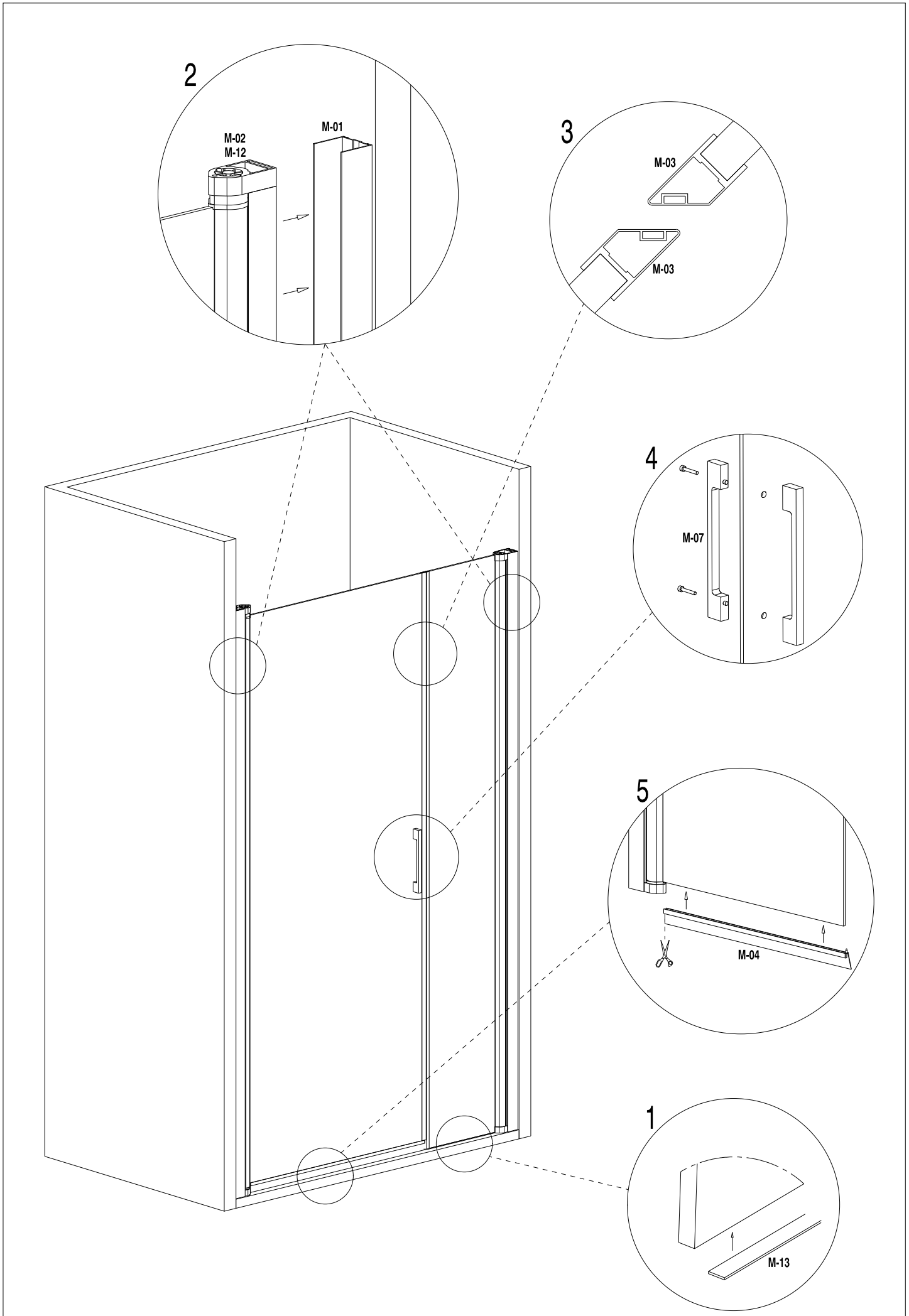
**M-10**  **DIN 7981 4,2x32** **6**

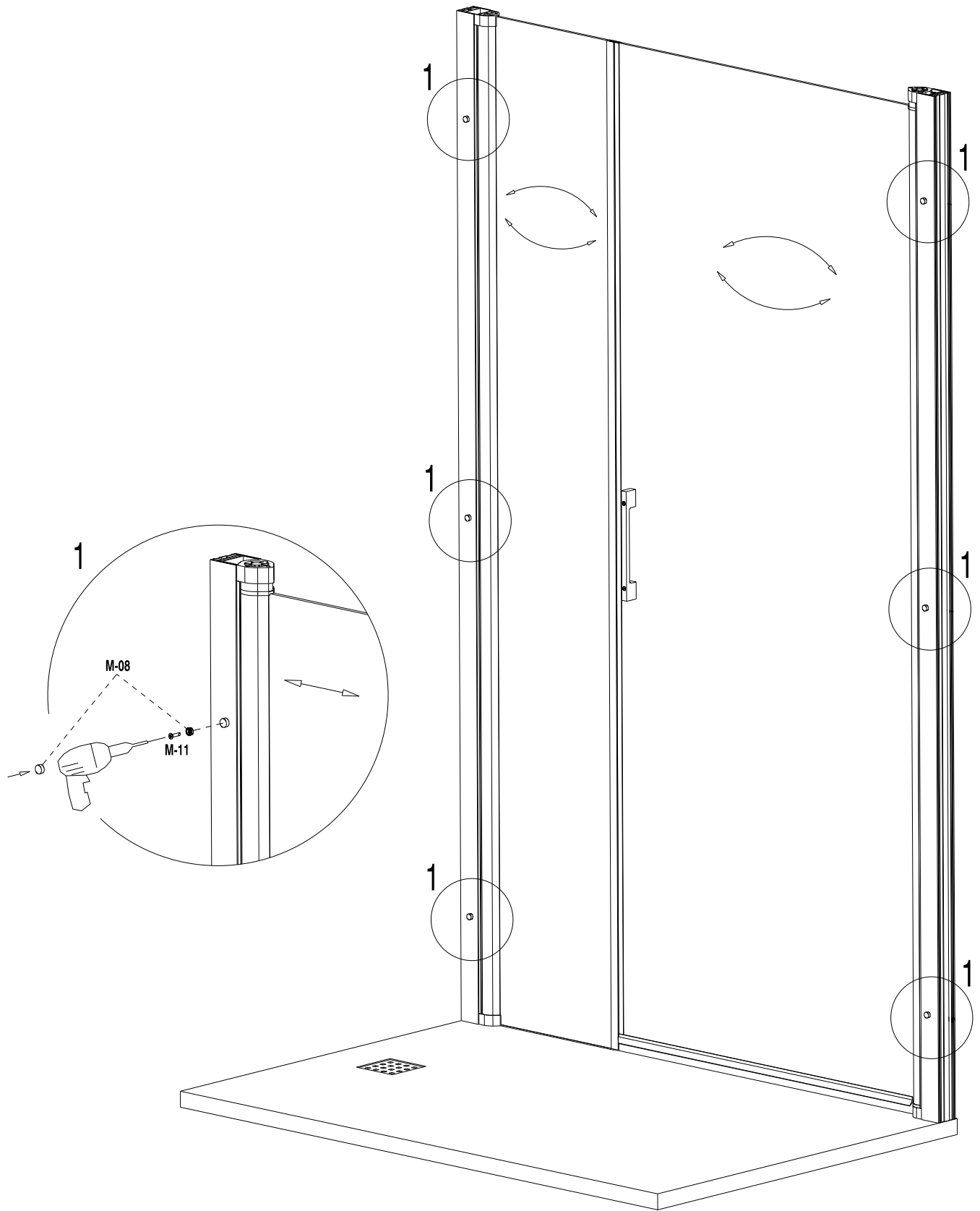
**M-12**  **1**

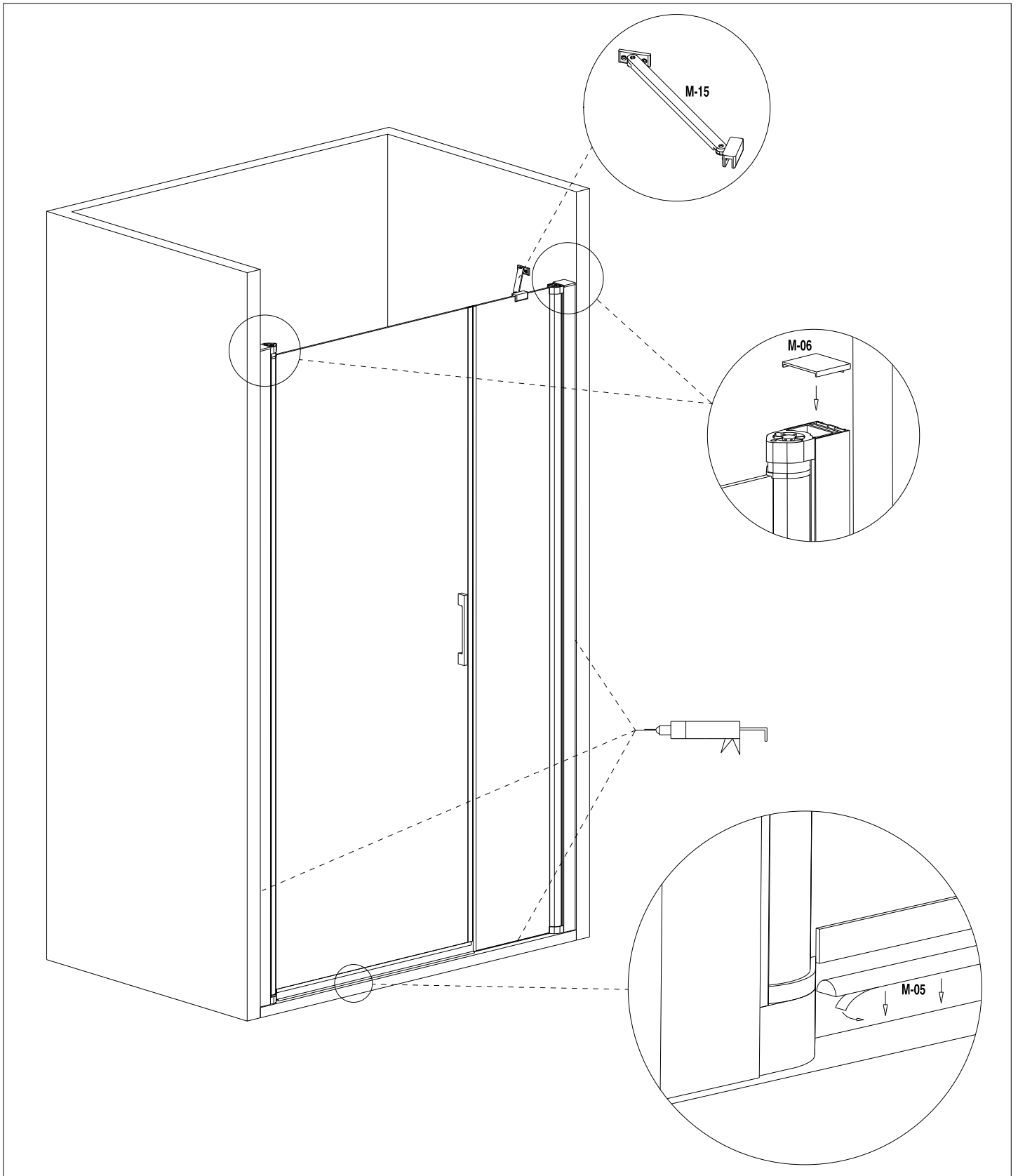
**M-14**  **DIN 7982 4,2x32** **2**











24H

This section contains an icon of a window pane with a large 'X' over it, indicating that the window should not be cleaned or handled immediately. Below the icon is the text '24H' and a small icon of a watch, representing a 24-hour waiting period.

This section shows three icons with a large 'X' over them, indicating prohibited actions:
 

- A cleaning bottle with a warning symbol.
- A warning triangle with a hand being burned by a liquid drop.
- A sponge.

This section shows three icons with a large checkmark over them, indicating approved actions:
 

- A cleaning bottle labeled 'NEUTRAL'.
- A sponge.
- A hand.



EUROPEAN SYSTEMS SERVICES  
[contact@expertbath.com](mailto:contact@expertbath.com)



13

UNE-EN 14428

